

folding arm awnings with cassette

GRUIS

WHITE INTENSE

PURE LUMINOSITY
impeccable style



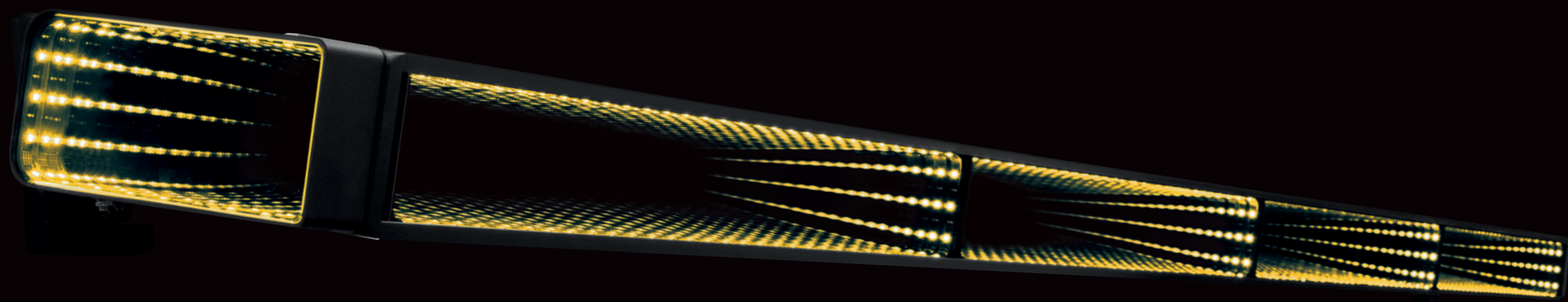
EN CONSUMER



IMAGINE
AN AWNING
THAT BECOMES A
DESIGN ICON
AT NIGHT



SIDERA



YOUR OUTDOORS
BECOME STRIKINGLY
UNIQUE AND
INFINITELY
PRIZED

space in
A BRAND-NEW LIGHT

An innovative start-up born out of Euroflex's long expertise in awning components and accessories, **Sidera is redefining the outdoor design world** with its bold vision and pioneering products. Sidera skillfully brings together functionality

and design, aiming to become a benchmark reference in the new market of high-end awning components. Sidera's products are **unique and exclusive**, designed to reinvent the style and design of outdoor your areas.

Sidera caters to different needs by supplying both **components to assemble**, if you're looking for customized and flexible solutions; and **finished awnings ready for installation**, if you require an immediate, ready-to-install solution.

innovation and design
THE BEATING HEART OF SIDERA



The patented ILE (Infinity LED Experience) system was created from the research of Sidera's R&D team, which sought to harness light to revolutionize outdoor design. During the day, ILE integrates seamlessly with the outdoor contexts,

in harmony with the surrounding landscape. As evening falls, ILE comes to life, creating a striking focus for the outdoor areas with its integrated LED lighting system. This lighting system creates weightless, material-less effects: an ethereal, infinite space.

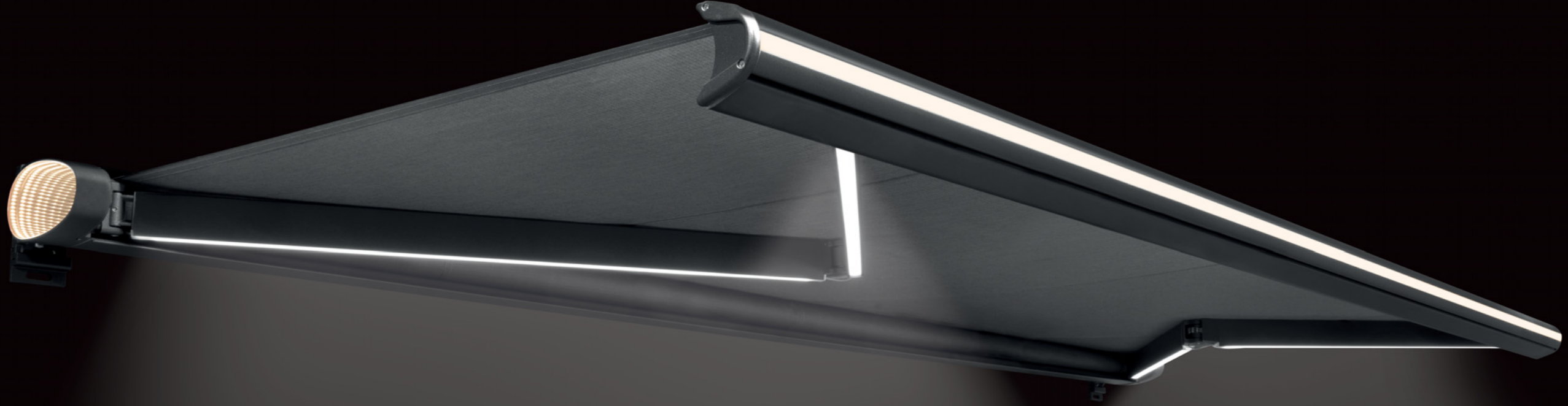
ILE is a **perfect blend of technology and design**, with its striking visual effects by day and by night. Your awning is a distinctive, functional transforming feature, perfect for all outdoors with modern lines.

SIDERA IS
INNOVATION
MAKING SPACE FROM THE FUTURE



folding arm awnings with cassette

GRUIS WHITE INTENSE



SIDERA

300 cm MAX. PROJECTION

GRUIS

WHITE INTENSE



PURE LUMINOSITY
impeccable style

GRUIS
WHITENITENSE

IN THE DAY
it enchants



GRUIS WHITE INTENSE

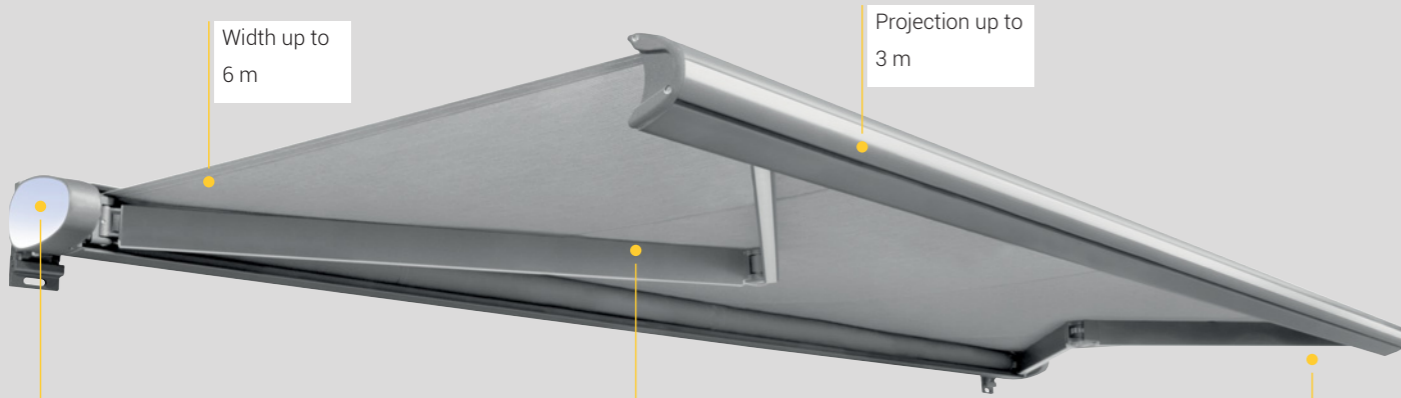
IN THE NIGHT
it lights up its glowing heart



GRUIS

WHITE INTENSE

300^{MAX. PROJECTION} cm



Width up to 6 m

Projection up to 3 m

SIDE MODULE
DIMMABLE WHITE



LED arms with light dimmable white

Dimmable, white-lighting system coordinated with side module



With its integrated side ILE modules, during the daytime GRUIS WHITE INTENSE reflects the outdoor setting with its high-quality tempered glass

mirrored surfaces. With a projection of up to 3 m and width of up to 6 m, it fits perfectly into a variety of solutions.

A design that blends elegance and practicality in an innovative solution ideal for modern outdoor settings.



GRUIS WHITE INTENSE

GRUIS WHITE INTENSE, with its minimal design, is an essential feature perfectly suited to all settings.

GRUIS WHITE INTENSE features the ILE B&W system with pure white LED lighting, integrated at the side and coordinated with the lighting system at the front. It allows you to achieve amazing visual effects. The slim,

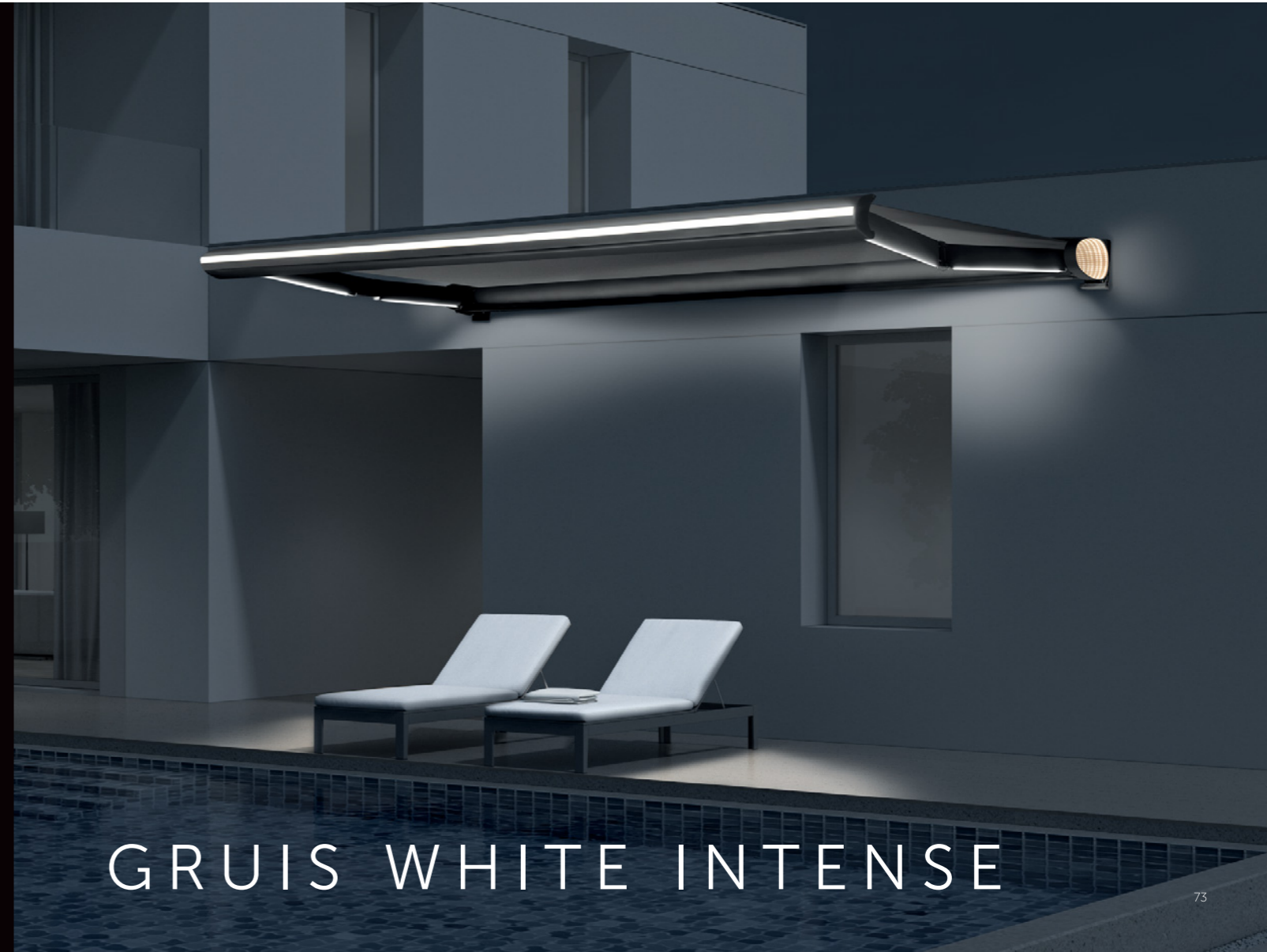
minimalist design takes awnings to a new level: from an accessory to be the focus of your outdoor setting, inviting you and your guests to enjoy the outdoors as a timeless space, also with the arms with their dimmable white LED light.

The ILE B&W modules give you **enhanced control over the brightness**

ILE
INFINITY LED EXPERIENCE

of the white light, via remote control or app, making GRUIS WHITE INTENSE a "*setting composer*", **perfect for meshing your outdoor area with your emotional well-being**. You can give a gentle light intensity for a soothing atmosphere, or increase the light intensity for a special occasion.

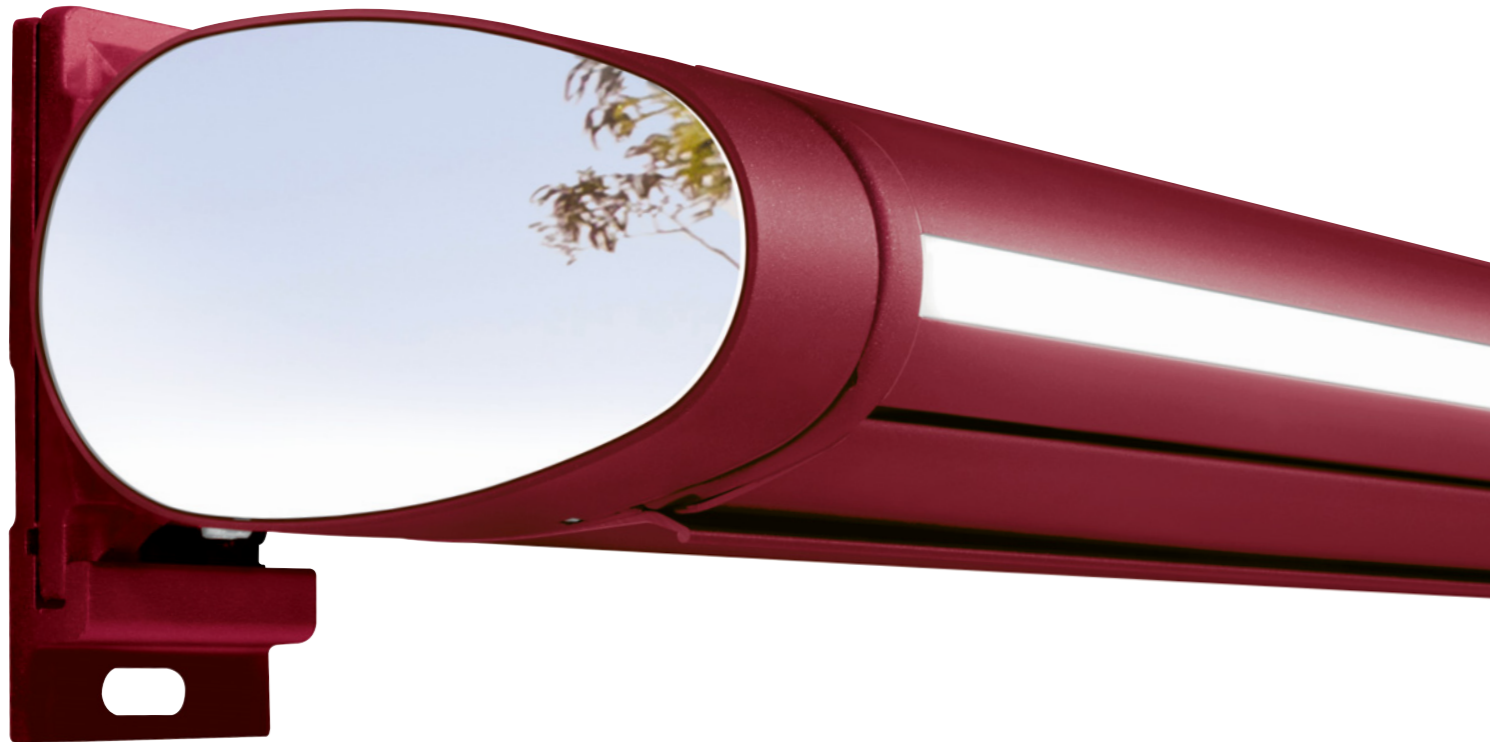
the intensity of white
defining every detail



GRUIS WHITE INTENSE

GRUIS

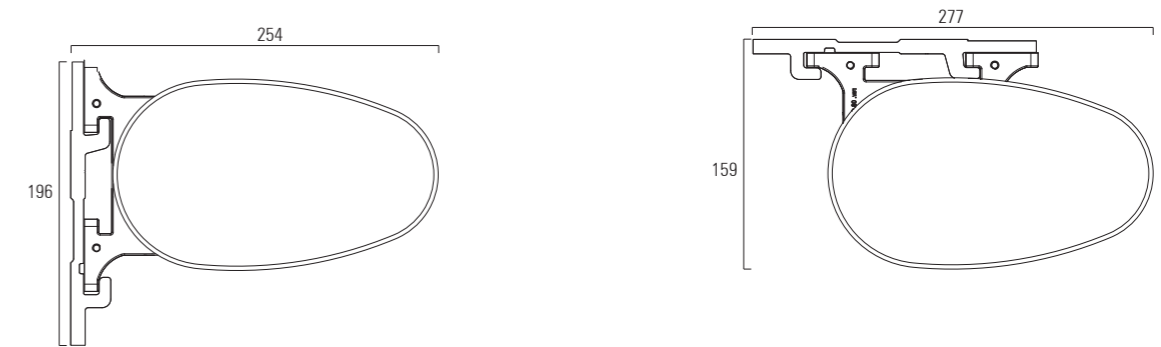
WHITE INTENSE



CONTINUOUS ADJUSTMENT

0° - 83°

DIMENSIONS WITH AWNING CLOSED



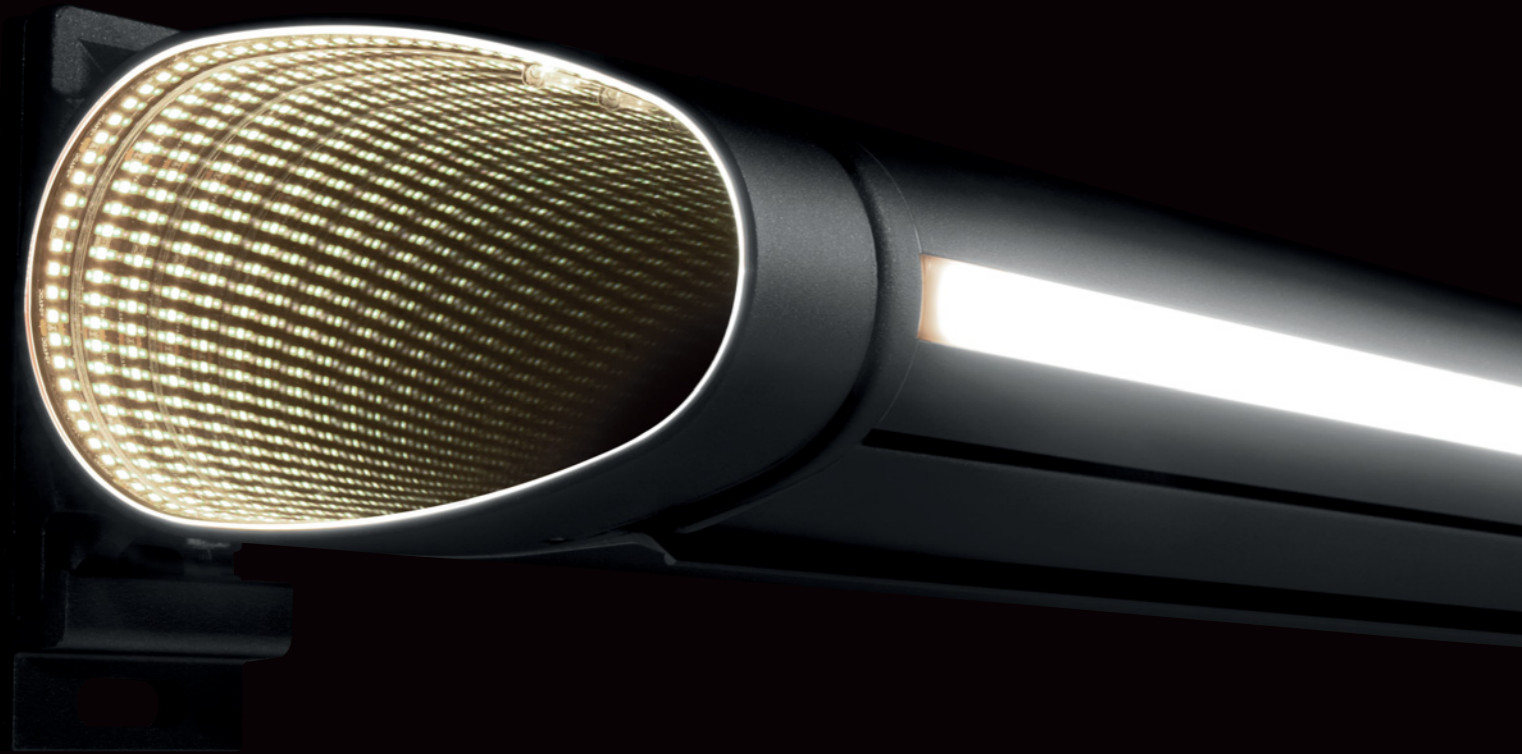
WIND RESISTANCE CLASS | EUROPEAN STANDARD UNI EN 13561



width	projection with awning open	class
600 cm	300 cm	1
600 cm	200 cm	2

FRAME COLORS FOR GRUIS WHITE INTENSE

9010 PURE WHITE	ANTRACITE CHARCOAL GREY	9005 JET BLACK	7013 DUSTY GREY	9006 WHITE ALUMINIUM	9018 PAPYRUS WHITE	1019 GREY BEIGE	1024 OCHRE YELLOW	3003 RUBY RED
STOCK COLORS				CUSTOM COLORS				



GRUIS

WHITE INTENSE

TECHNICAL INFORMATION

Cassette awning with hermetic closure.

Installation: ceiling and wall-mounted.

Angle of pitch: continuous from 0° to 83°.

Arms: side, with dimmable white LED light.

Frame available in 9 state-of-the-art colors that can be matched with different types of fabric (see page 80).

You can adjust the ILE B&W system's white-light intensity either from an app or the remote control (included).

Maximum dimensions:

width 600 cm

projection 300 cm

COLOR DESIGN

SIDERA takes you into the alluring world of color design.

Be inspired by a color palette that will transform your space into a true statement of style and personality.

Discover the perfect combination; bring to life a boundless outdoor setting where every detail reflects your unique taste.

Our approach to color design matching structures and fabrics is developed in conjunction with the R&D departments of the world's leading fabric manufacturers. These collaborations ensure that all tones are both visually attractive and in step with the evolving trends in contemporary style.

SIDERA components are surface treated according to EN12206. We use thermosetting polyester powders that provide high UV/weather resistance, and significant corrosion resistance, making them ideal for application on exterior finishing parts.

Contact our technical team to inquire about more color-customization options.

AVAILABLE COLORS

STOCK COLORS

	9010 PURE WHITE	ANTRACITE CHARCOAL GREY
FRAME		
RECOMMENDED FRAME-FABRIC MATCHES		

CUSTOM COLORS

	9005 JET BLACK	7013 DUSTY GREY	9006 WHITE ALUMINIUM	9018 PAPYRUS WHITE	1019 GREY BEIGE	1024 OCHRE YELLOW	3003 RUBY RED
FRAME							
RECOMMENDED FRAME-FABRIC MATCHES							



All Sidera products, the Sidera trademark, and the ILE (Infinity LED Experience) design are patent-protected, incorporate legally recognized, innovative technology, and are safeguarded against all forms of imitation.

Continuous improvement of our products may bring changes to specifications. The data are indicative. Sidera reserves the right to change them without notice.